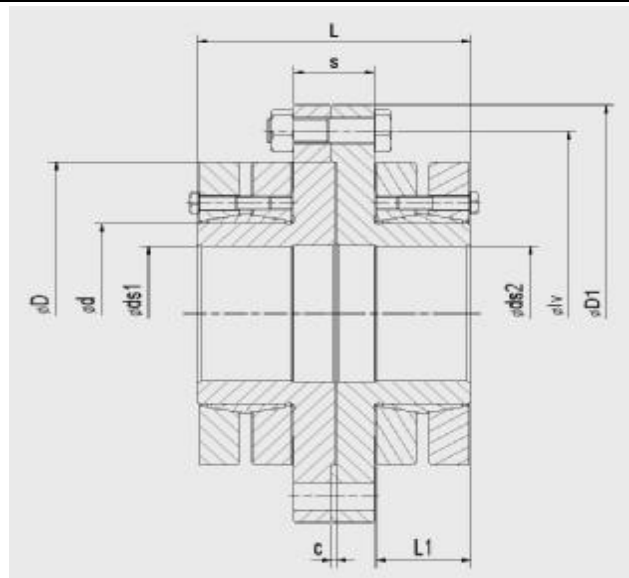


Flange coupling MAV FC2008

rev. 2

Shaft-to-shaft rigid coupling with flanges and shrink disc MAV 2008
 Medium capacity
 Recommended for medium to large size shafts
 Possibility of connection of different shaft sizes
 Shaft tolerance: acc. to shrink disc data page
 Shaft surface finish: $R_a \leq 3.2 \mu\text{m}$



Example of order: MAV FC2008-340 260 / 260 (size - ds_1 / ds_2)

DIMENSIONS									SD SCREWS UNI 5737/9 - 10.9		FLANGE BOLTS UNI 5737/9 - 10.9		TRANSMISSIBLE TORQUE	Weight kg	
size	ds	SD MAV 2008 d x D	lv	D1	s	L	L1	c	size	Ma Nm	n.	size	Ma Nm		Mt Nm
100	70 75 80	100 x 170	210	240	44	136	44	4	M 8	30	6	M 16	210	7600 9300 11300	26
125	85 90 95	125 x 215	265	305	48	160	54	5	M 10	59	6	M 20	420	13300 15800 18600	48
140	95 100 105	140 x 230	286	340	56	190	64	5	M 12	100	5	M 24	720	18600 21600 24900	63
165	115 120 125	165 x 290	356	400	72	228	75	5	M 16	250	8	M 24	720	38900 43600 47600	120
175	125 130 135	175 x 300	356	400	72	228	75	5	M 16	250	8	M 24	720	42900 47800 53100	120
195	140 150 155	195 x 350	420	475	90	278	90	6	M 16	250	10	M 30	1450	75600 90600 98700	215
220	160 165 170	220 x 370	446	510	90	306	108	6	M 16	250	14	M 30	1450	110000 120000 129000	265
240	170 180 190	240 x 405	475	540	88	322	113	6	M 20	490	16	M 30	1450	146000 168000 190000	310
260	190 200 210	260 x 430	500	560	110	368	125	8	M 20	490	16	M 30	1450	197000 224000 254000	395
280	210 220 230	280 x 460	530	590	104	392	139	8	M 20	490	18	M 30	1450	260000 292000 327000	445
300	230 240 250	300 x 485	555	615	104	408	147	8	M 20	490	20	M 30	1450	334000 371000 410000	500
340	250 260 270	340 x 570	640	710	118	450	161	8	M 20	490	24	M 30	1450	465000 506000 555000	810
360	280 290 295	360 x 590	660	720	106	450	167	8	M 20	490	24	M 30	1450	556000 606000 632000	795

Information subject to change without prior notification, © MAV S.p.A.